

SC-DCM-C

Digital Conference System Chairman Unit



It can transmit 64 channels of audio and different information with a single CAT5e cable

It offers zero loss audio transmission technology, 48K no-sampling frequency, 20Hz~20KHz high quality audio

Windproof microphone with bi-color LED automatically mutes to prevent hum when MIC on button is pressed. The number of people speaking limit allows you to control discussion modes

Each unit uses two different LED indicators to indicate red to speak to the microphone and green to be accepted to speak from the chairman

Volume setting indicators speaker unit with microphone on/off, priority button for delegates and confirmation button

The Chairman Unit allows the necessary directions to be made with the control buttons

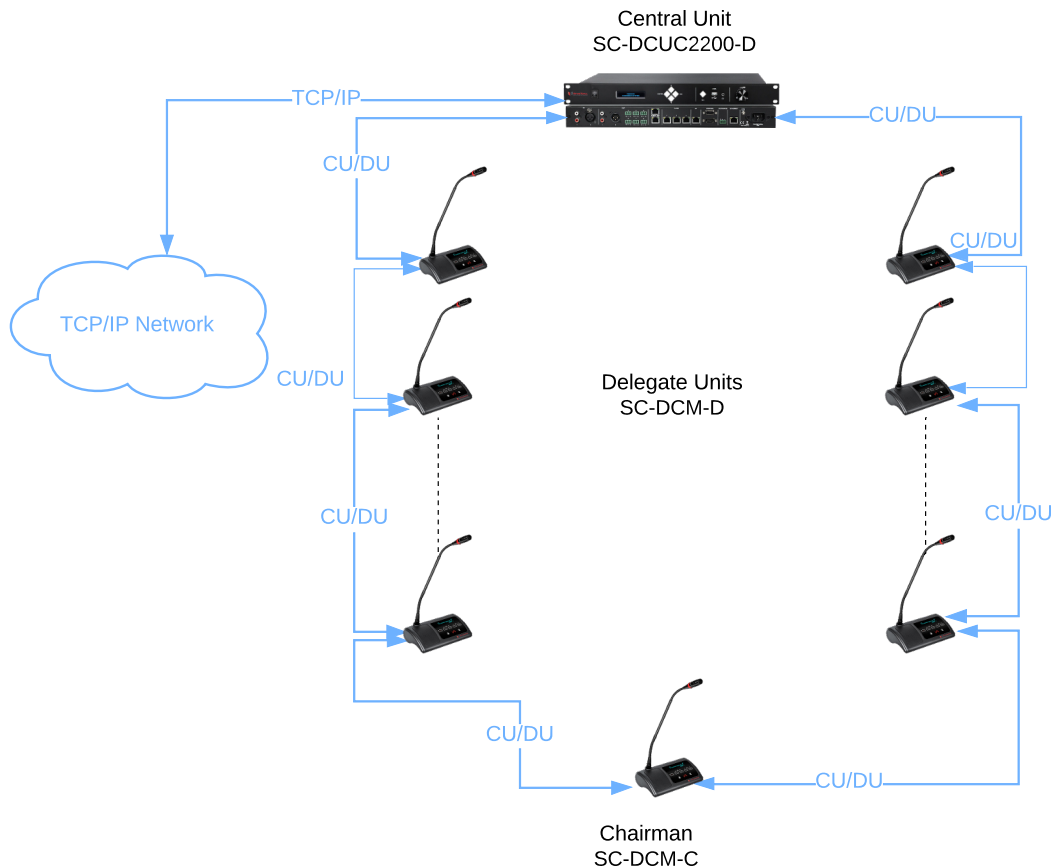
Stylish profile design with touch interface

It provides ease installation and usage with CAT5e and RJ45 connectors

It offers brightness, contrast settings and a wide viewing angle with its OLED screen. The microphone provides sound transfer to devices such as computers

The "Hand-in-Hand-Loop-Network" connection ensures that the system works optimally regardless of system changes

All units can be configured as chairman and delegate units with model-based software.



Technical Specifications

SC-DCM-C

Technical	
Button	Touch Interface
Display	OLED Display 128x32
Sensitivity	-46 dBV / Pa
Audio Direction	0 ° / 180 °> 20 dB (1 kHz)
Headphone Load	16Ω
Headphone Volume	10mW
Frequency Response	20 ~ 20000Hz
Input Impedance	2kΩ
Audio Specification	
Audio Input	1x 3.5 mm Stereo
Headphone Jack	3,5mm
Connection	2x RJ45
Equivalent Noise	20dBA (SPL)
Maximum SPL	125dB (THD <3%)
Operational Specification	
Main Material	ABS
Weight	1.1 Kg (including microphone)
Dimensions	195L × 120W× 60H mm (without microphone)
Working Temperature	0 °C to + 55 °C
Color	Black

