

SC-SP0104-HDMI 2.0

4K HDMI Splitter

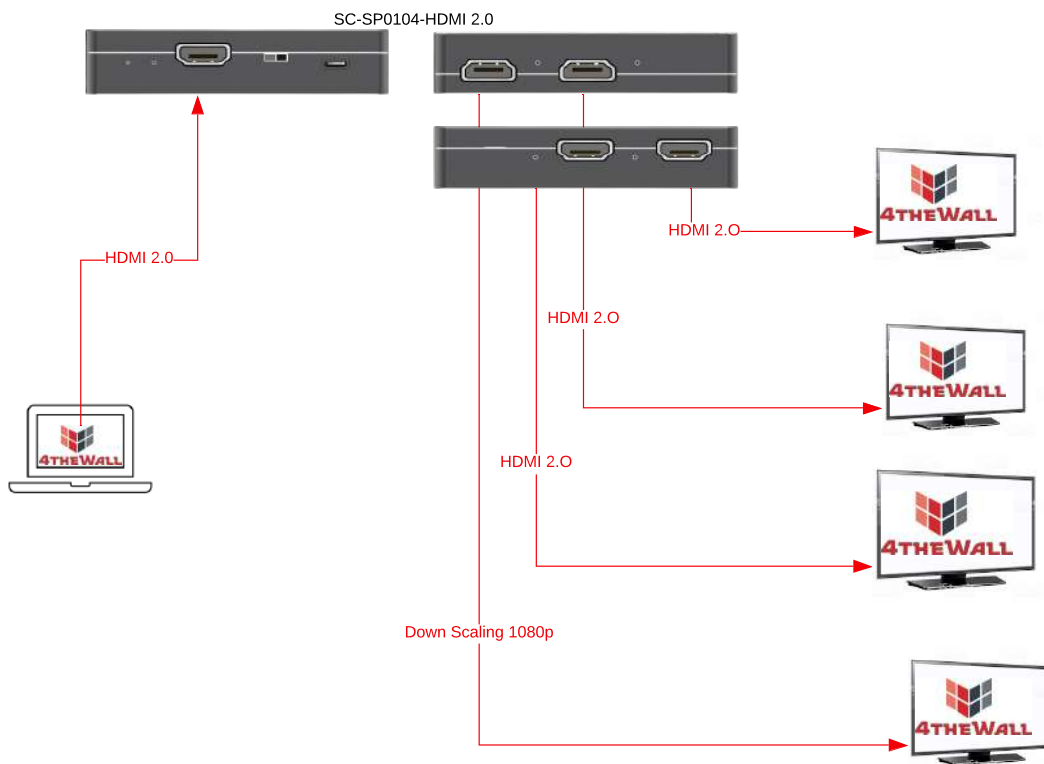


- Supports 4K@60Hz 4:4:4
- Supports HDMI 2.0
- Supports HDCP 2.3
- Supports EDID

SC-SP0104-HDMI 2.0 4K supported splitter is an ideal solution for meeting rooms, conference rooms and lecture halls

Features

- Supports HDMI 2.0 and 4K@60Hz 4: 4: 4 resolution
- Supports HDR10 and Dolby Vision
- Supports down scaling from 4K to 1080p to all outputs
- Scaler mode selection by 2-pin switch from front panel
- Supports CEC



HDMI

Input and Output	
Inputs	1x HDMI 2.0
Input Features	Supports 4K@60Hz 4:4:4 8 bit
Outputs	4xHDMI 2.0
Output Features	4K@60Hz 4:4:4 ≤ 5m, 4K@60Hz 4:2:0 ≤ 10m, 1080p ≤ 15m
Network Features	
Ethernet	N/A
Management Features	
Hardware Software Upgrade	USB port
Management Options	N/A
General Features	
Power Connection	5V DC 1A
Working Temperature	-10°C~ +55°C
Humidity Range	10% ~ 90%
Storage Temperature	-25°C~ +70°C
ESD Protection	±12kV (air gap discharge) ±8kV (connection discharge)
Dimensions	85mm × 85mm × 18mm - W/D/H
Weight	75g
Power Value	2.6W
Mounting Type	Desktop
Certifications	
EU/US	CE
Package Details	
Dimensions (packaged)	88mm x 88mm x 20mm - W/D/H
Weight (packaged)	95g
Package Content	1 x SC-SP0104-HDMI 2.0 5V/1A DC Power Adaptor and Power Cable, 1 x User Manual



Front View



Rear View