

SC-IPKVM0201E-TX

4K IPKVM



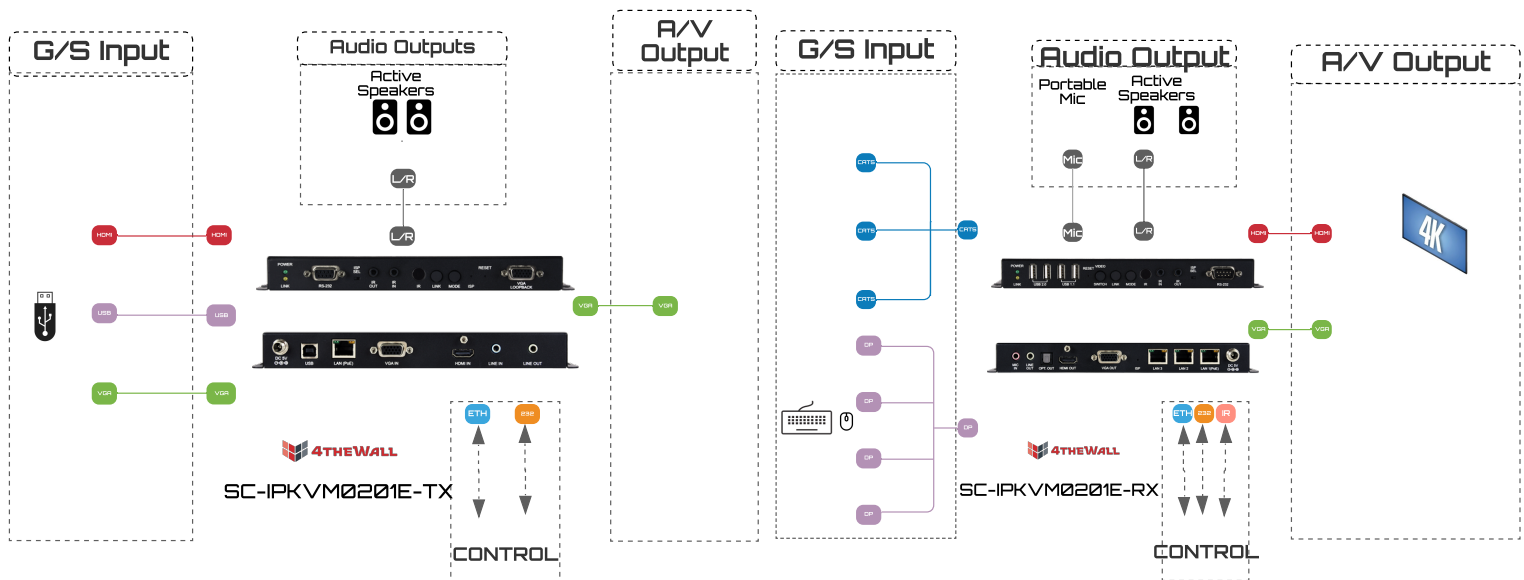
SC-IPKVM0201E-TX 4K supported IPKVM is ideal solution for meeting rooms, conference halls or crisis centers.

SC-IPKVM0201E-TX 4K UHD can be used as the backbone of technological development systems. You can move HDMI / VGA signals to your network infrastructure with KVM operating logic with using TCP / IP

Features

- Supports 10.2 Gbps 4K@30Hz 4:4:4 / 4K@60Hz 4:2:0 8 bit
- Supports HDCP 2.2.
- HDMI 2.0 and DVI 1.0
- IPKVM Transmitter

- Supports 1xHDMI, 1xVGA input and 1xVGA output
- Supports HDMI 1.4 and HDCP 2.2
- Supports LPCM 2.0/5.1/7.1, Bitstream and HD Bitstream audio format
- Supports video and audio transmission over TCP/IP with Unicast (point to point) or Multicast (from point to multiple point)
- Supports USB keyboard, mouse and storage extension,
- Multi-monitor videowall support with 180 ° and 270 ° rotation options
- Supports HDMI input resolution up to 4K @ 60Hz (4:2:0, 8-bit) or 4K@30Hz (4:4:4, 8 bit), supports 4K@50/60Hz (4: 2: 0) sources automatically output 4K @ 25 / 30Hz
- Both Tx and Rx can supported directly by PoE(802.3af)
- Supports IR and RS-232 bypass
- Controllable from WebGUI, Telnet and front panel buttons



Input and Output	
Inputs	1x HDMI , 1x VGA, 1x 3.5mm Stereo audio ,1xRS232 and 1xUSB-B
Input Features	4K@30Hz 4:4:4 / 4K@60Hz 4:2:0 8bit support
Outputs	1x Cat.5e/6/7(LAN) and 1x 3.5mm Stereo audio
Output Features	4K@30Hz 4:4:4 / 4K@60Hz 4:2:0 8 bit, VGA@60Hz - WUXGA@60Hz (RB) support, 10.2 Gbps bandwidth
Network Features	
Ethernet	1 x RJ45
IP Address Feature	DHCP, Fixed IP
Management Feature	
Hardware Software Upgrade	IP
Management Options	Web GUI, Telnet, Front Panel
General Features	
Power Connection	5V DC 2.6A
Working Temperature	0°C~ +40°C
Humidity Range	20% ~ 90%
Storage Temperature	-20°C~ +60°C
ESD Protection	±12kV (air gab discharge) ±8kV (connection discharge)
Dimensions	231.5mm × 108mm × 25mm - Width/Depth/Height
Weight	660g
Power Value	7.15W
Mounting	Desktop
Certifications	
EU/USA	CE
Package Details	
Dimensions (packaged)	231.5mm x 120mm x 25mm - Width/Depth/Height
Weight (packaged)	690g
Package Content	1x SC-IPKVM0201E-TX, 1xRS232 Cable, 5V/2.6A DC Power Adaptor and Power Cable, 1x User Manual



Front View



Rear View