

SC-IPKVM0201E-RX

4K IPKVM



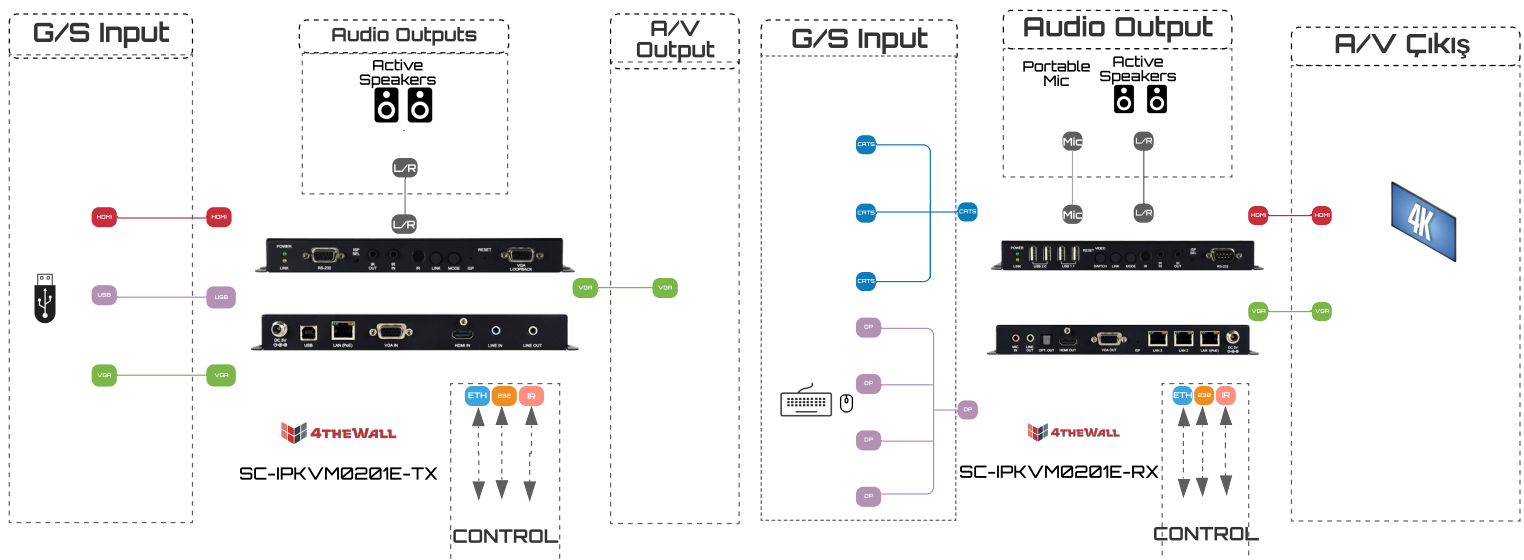
SC-IPKVM0201E-RX 4K supported IPKVM is ideal solution for meeting rooms, conference halls or crisis centers.

SC-IPKVM0201E-RX 4K UHD can be used as the backbone of technological development systems. You can move HDMI / VGA signals to your network infrastructure with KVM operating logic with using TCP / IP

Features

- Supports 1xHDMI and 1xVGA output
- Supports HDMI 1.4 and HDCP 2.2
- Supports LPCM 2.0/5.1/7.1, Bitstream and HD Bitstream audio format
- Supports video and audio transmission over TCP/IP with Unicast (point to point) or Multicast (from point to multiple point)
- Multi-monitor videowall support with 180 ° and 270 ° rotation options
- Supports HDMI output resolutions up to 4K @ 30Hz (RGB, 8-bit), 4K@50/60Hz (4:2:0), supports sources automatically 4K@25/30Hz (RGB) output
- Supports USB keyboard, mouse and storage extension,
- Both Tx and Rx may supported directly by PoE(802.3af)
- Includes 3 LAN ports allowing multiple receivers to be daisy chained
- Controllable from WebGUI, Telnet and front panel buttons

- 10.2 Gbps 4K@30Hz 4:4:4 / 4K@60Hz 4:2:0 8 bit support,
- Supports HDCP 2.2.
- HDMI 2.0 and DVI 1.0
- IPKVM Receiver



Technical Specifications

SC-IPKVM0201E-RX

Input and Output	
Inputs	3x Cat.5e/6/7 and 1x 3.5mm Stereo audio
Input Features	4K@30Hz 4:4:4 / 4K@60Hz 4:2:0 8bit support
Outputs	1x HDMI , 1x VGA , 1x TOSLINK (S/PDIF Audio), 1x 3.5mm Stereo Audio, 1x RS232 and 4x USB-A
Output Features	4K@30Hz 4:4:4 / 4K@60Hz 4:2:0 8 bit, VGA@60Hz - WUXGA@60Hz (RB) support, 10.2 Gbps bandwidth
Network Features	
Ethernet	3 x RJ45
IP Address Features	DHCP, Fixed IP
Management Features	
Hardware Software Upgrade	IP
Management Options	Web GUI, Telnet, Front Panel
General Features	
Power Connection	5V DC 4A
Working Temperature	0°C~ +40°C
Humidity Range	20% ~ 90%
Storage Temperature	-20°C~ +60°C
ESD Protection	±12kV (air gab discharge) ±8kV (connection discharge)
Dimensions	231.5mm × 108mm × 25mm - Width/Depth/Height
Weight	666g
Power Value	17.68W
Mounting	Desktop
Certifications	
EU/USA	CE
Package Details	
Dimensions (packaged)	231.5mm x 120mm x 25mm - Width/Depth/Height
Weight (packaged)	690g
Package Content	1x SC-IPKVM0201E-TX, 5V/4A DC Power Adaptor and Power Cable, 1x User Manual



Front View



Rear View